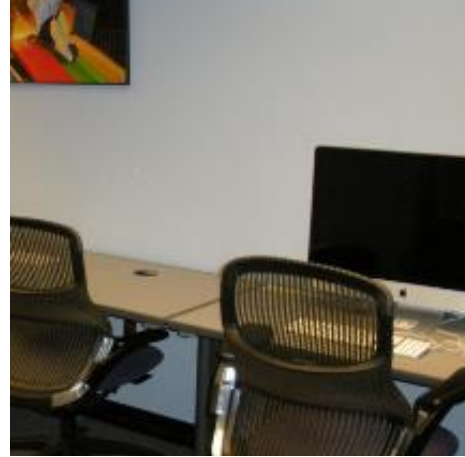




Inside Tech





Western Illinois University

Higher Values in Higher Education • Macomb • Quad Cities

WESTERN ILLINOIS UNIVERSITY

- About WIU
- Academics
- Admissions
- Arts
- Athletics
- Alumni
- Giving
- Student Life

myWIU Portal

WIU Home > Portal

[A-Z Index](#) | [Log Out CK-Morgan](#)

WIU Applications

The following applications will open in a new window or tab.

Schedule Your Migration to Google Apps!

Western Illinois University has chosen Google Apps for its new email and calendar platform. Schedule your migration from Zimbra at wiu.edu/GoogleApps. Our goal is to move everyone to Google Apps by August 19th, just prior to the start of the Fall 2016 semester. If you do not select a migration date on their own will be moved as time permits in the migration schedule, so we highly recommend that you pick a date and time that works best for you.

Central Sign-On Applications

Zimbra	WesternOnline
Knowledgebase	Guava
SysAid	Directory
Bulletin Board	Beu Online
Mailing Lists	SysAid DEV
Gmail	

University Events

ECom / Central Sign On

Public Events

- Jun. 05, 2016: Discovering the World Through Science summer camp
- Jun. 09, 2016: Peace Corps Youth Leadership summer camp
- Jun. 11, 2016: Atlanta Alumni and Friends Event at Turner Field, Braves vs. Cubs Game
- Jun. 12, 2016: Art for Gifted and Talented Students summer camps
- Jun. 20, 2016: Quad Cities Alumni and Friends Golf Outing
- Jun. 23, 2016: College Student Personnel/Student Services Summer Institute
- Jun. 27, 2016: 1, 2 and 3D Robotics, Printing and Design summer camp
- Jun. 27, 2016: Exploring Harry Potter summer camp
- [View More](#)
- [Subscribe to this RSS feed](#)

Other Applications

STARS	WIUP

Registrar's Office

STARS Credentials

- May. 26, 2016: Last day to drop classes for the pre-session

+ Do I need to bring a computer?

- Broadcasting and Art computer requirement
- uTech Labs & CRCs
 - Res Halls and Academic buildings
 - 24 hour labs
 - 550 computers
 - Scanners
 - Collaborative work spaces



+ What specs do I look for?

	Already Own?	Looking to Purchase?
CPU	Intel Core i3	Intel Core i5
RAM	4 GB	4-8 GB
Hard Drive	500 GB	As needed
Optical Drive (optional)	CD-ROM	DVD-RW
OS	Windows 7/8 OS X 10.8+	Windows 10 OS X 10.10
Video	Onboard	As needed
NIC	100 Mb Ethernet	Gigabit Ethernet
Wireless	802.11 g or n	802.11 n or ac

+ Do I need to bring a printer?

- Black and white printing
 - No per page fee
 - All uTech Labs and CRCs
 - uPrint release stations
 - Many Labs and CRCs
 - Tanner Information Desk
 - uPrint.wiu.edu
 - Upload from personal devices
 - Release at any release station
- Color Printing (release)
 - Horrabin Hall Lab complex
 - \$0.25 per page (side)
 - Uses Rocky Dollars



Responsible Printing

with

uPrint

+ What software do I need?

- Operating System

- Windows (not XP)
- OS X
- Linux
- Keep them patched



- Antivirus software

- WIU does not provide AV software
- Some suggestions are at wiu.edu/antivirus
- Keep those definitions up-to-date and scan regularly (weekly)
- Back up your data

+ What software do I need?

- Google Apps for Education

- Gmail
- Google Calendar
- Google Drive
- Unlimited space
- Mobile Apps for iOS, Android, and Windows

- Microsoft Office 365

- Current students
- Online
- Mobile Apps



Office Mobile



OneNote

WIU has gone **Google**



- Download full version



Word



Excel



PowerPoint



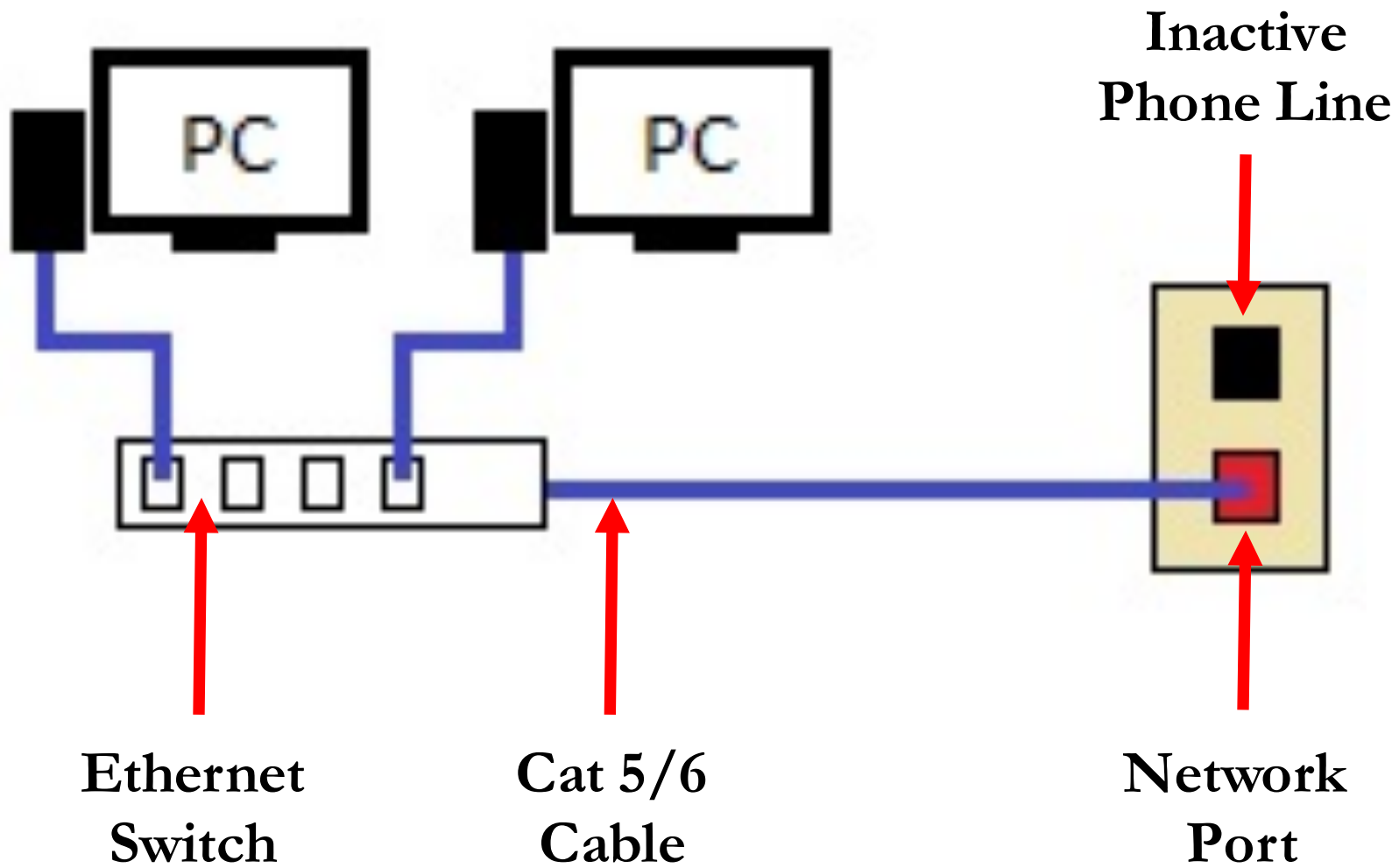
Outlook

+ How do I get connected on move-in day?

- Wired Network
 - All residence hall rooms
 - Shared 3 Gbps bandwidth
- Hooking up one device requires one Cat 5/6 Ethernet cable
- Hooking up more than one device
 - Small Ethernet switch
 - Cat 5/6 Ethernet cables
- Wireless network
 - All residence hall rooms
 - Start by connecting to WIU-SETUP
 - Game systems use MAC Registration
 - Deactivate wireless when not using it



+ How do I hook up multiple devices?



+ How do I get help once I arrive?

- uTech Support Center (located in Stipes 126)
 - Phone: 309-298-TECH
 - myWIU: SysAid
 - Service request
 - Chat
 - We can help with:
 - Access to many campus resources
 - Reset your password
 - Help removing viruses
 - Mobile device configuration

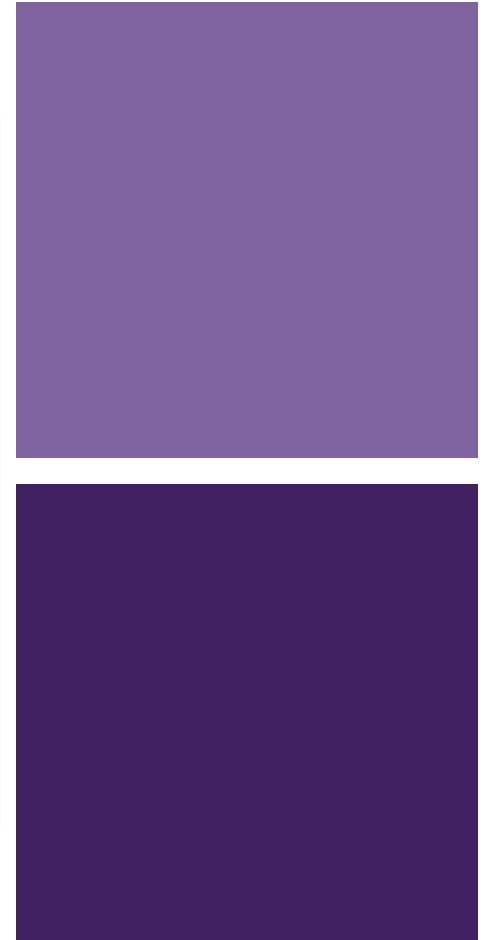


We don't provide hardware installation/repair or OS reinstall services for personal devices.

+ Stay in the loop.

- Like us on Facebook
 - facebook.com/uTechWIU
- Follow us on Twitter
 - twitter.com/WIU_uTech
- Download WIU Mobile
 - Google Play store
 - Apple App store
 - It's free!!!





+

Questions?

A copy of this presentation can be downloaded at
wiu.edu/utech.